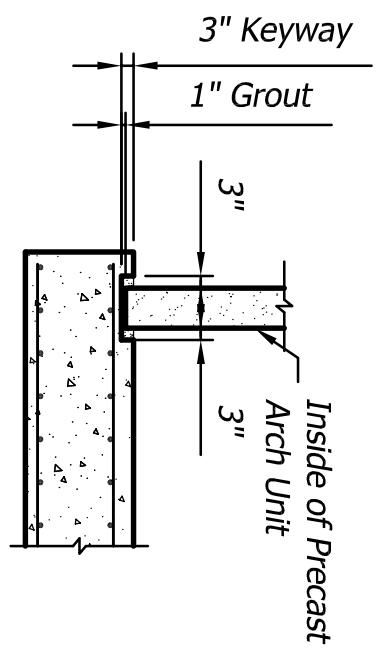
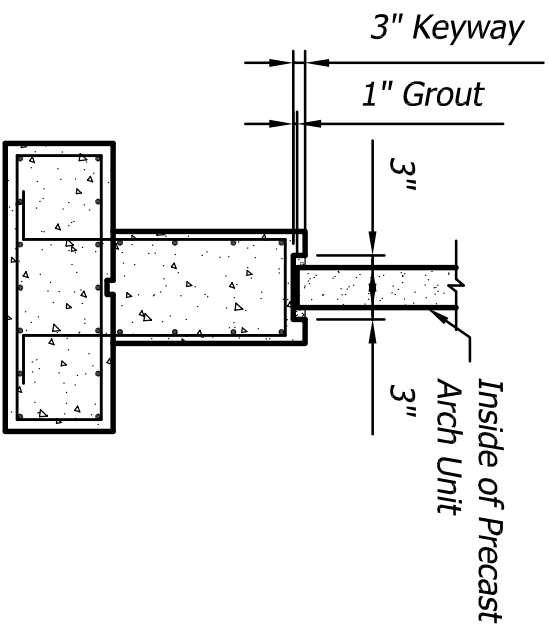


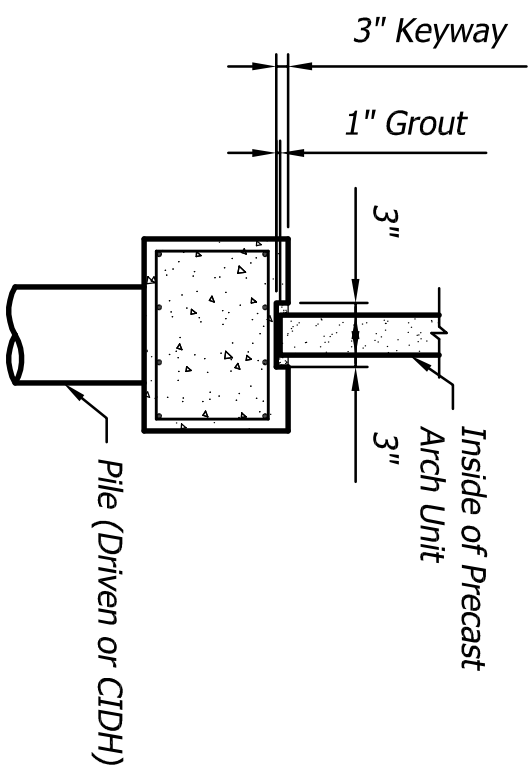
STRIP FOOTING



SLAB FOOTING



PEDESTAL WALL FOOTING



PILE CAP/FOOTING

REVISIONS	
1	
2	
3	
4	
5	

TYPICAL FOUNDATIONS

SPECS CREATIVE STRUCTURAL SOLUTIONS

1106 SECOND STREET #636, ENCINITAS, CA 92024
 PH (858) 790-1890 or (858) 790-1445
 www.SPECSBridge.com

DATE: -- --
 DES. BY: -- --
 DRAWN BY: -- --
 CHK. BY: -- --
 SHEET: -- --
 JOB NO.: -- --
F1